

TAMPERS



Making our mark



TAMPERS

LEBRERO

TECHNICAL

CHARACTERISTICS

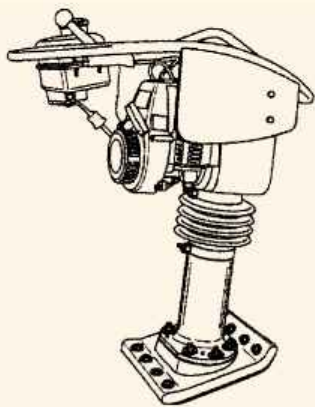
	PL 160	PL 164	PL 364	PL 170 D	PL 370 D
Mass	60 kg	64 kg	67 kg	72 kg	78 kg
Length/Width/Height	770 / 380 / 1 010 mm	770 / 380 / 1 010 mm	770 / 380 / 1 010 mm	770 / 380 / 1 010 mm	770 / 380 / 1 010 mm
Free height to concertina connection	330 mm	330 mm	330 mm	330 mm	330 mm
Plate length	350 mm	350 mm	350 mm	350 mm	350 mm
Plate width	280 mm	280 mm	280 mm	280 mm	280 mm
Compacting depth	0,9 km/h	0,9 km/h	0,9 km/h	0,9 km/h	0,9 km/h
Forward speed	55 cm	60 cm	60 cm	60 cm	65 cm
Jump stroke	40 mm	40 mm	20 / 45 / 65 mm	40 mm	20 / 45 / 65 mm
Vibration frequency	12 Hz	12 Hz	12 Hz	11,3 Hz	11,3 Hz

ENGINE

	Robin	Robin	Robin	Yanmar	Yanmar
Model	EC12	EH12	EH12	L40	L40
Engine power	2,7 kw (3,7 CV)	2,9 kw (4 CV)	2,9 kw (4 CV)	3 kw (4,1 CV)	3 kw (4,1 CV)
Engine frequency	3 800 r.p.m.	4 000 r.p.m.	4 000 r.p.m.	3 600 r.p.m.	3 600 r.p.m.
Fuel consumption	1,3 l/h	1,3 l/h	1,3 l/h	1 l/h	1 l/h
Tank capacity	3 l.	3 l.	3 l.	3 l.	3 l.

SETRA / LCPC CLASSIFICATION

	PN 1	PN 2	PN 2	PN 2	PN 2
--	------	------	------	------	------



EASY STROKE ADJUSTMENT

(Models PL 360 and PL 370 D)

Having in mind the type of soil and work it is possible to adjust the stroke with a control to be found outside the tamper gearing compartment.

SMALL STROKE

POSITION 1

- Concrete paving
- Foundations
- Hot bituminous mixtures
- Macadam
- Surface work



MEDIUM STROKE

POSITION 2

- Sands
- Fine gravel



LARGE STROKE

POSITION 3

- Plastic soils
- Gravel
- Slag
- Cement gravels
- Cement soil and similar



Dealer:

OFFICE AND CENTRAL FACTORY

COMOPLESA - LEBRERO, S.A.

Avda. Alcalde Caballero, nº 32 • Pol. Industrial «El Pilar»
50014 Zaragoza (Spain)

E/P.O. Box 402 • Tel (+34) 976 464 300 • Fax (+34) 976 464 301

http://www.lebrero.com • E-mail: info@lebrero.com